

IMPORTANT SAFETY INFORMATION

Adult assembly is required. Checks and maintenance needs to be carried out on the main parts (fixings etc.) at regular intervals. If these checks are not carried out the product could become unsafe.

Before assembly

- We recommend that time is taken to read the instructions before starting assembly, then follow the easy step by step guide. The instruction sheet is only a guide to the assembly. Certain items may not be shown to scale.
- Check all components prior to assembly
- This product should be assembled by no less than two people.
- Never attempt to erect the assembly in high winds.
- Drill components where indicated.

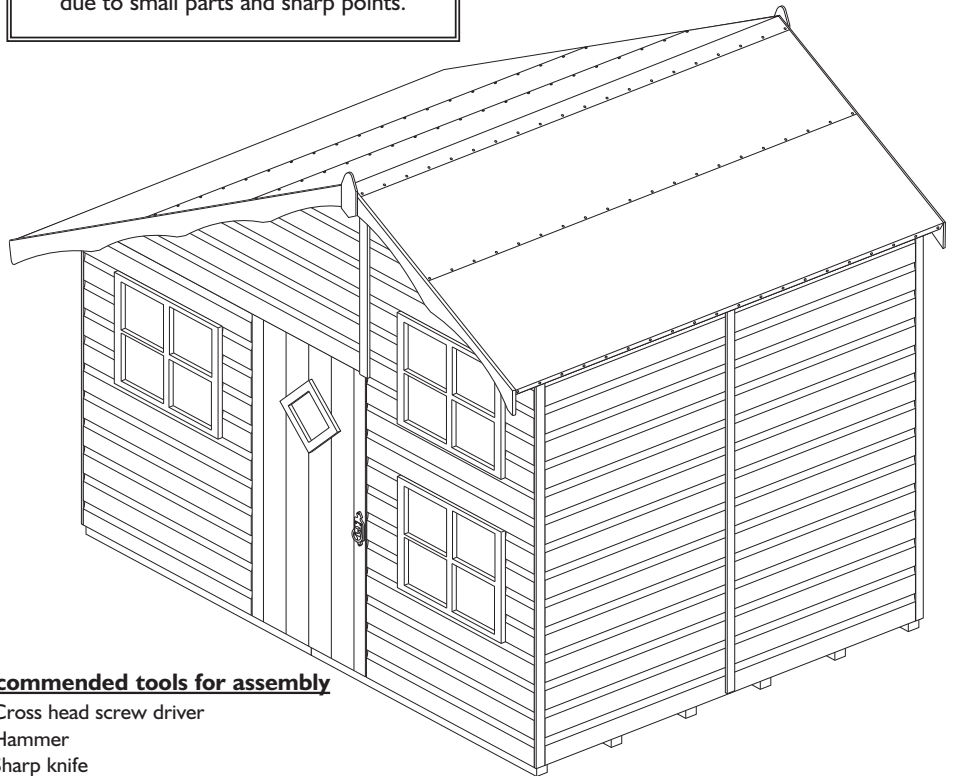


No.	Components	Qty.
1	Floor panel	2
2	Angled back panel	1
3	Landing support back panel	1
4	Small side panel	2
5	Large side panel	2
6	Large front window panel	1
7	Small front window panel	1
8	door header panel	1
9	Apex panel	2
10	Landing floor	1
11	Landing support block (35x29x140mm)	1
12	Fence top rail	1
13	Ladder	1
14	Ladder attachment piece (500x45x32mm)	1
15	Fence railing	10
16	Purlin (35x29x1815mm)	5
17	Small front roof panel (980x1220mm)	1
18	Small Rear roof panel (980x811mm)	1
19	Large front roof panel (1900x1220mm)	1
20	Large rear roof panel (1900x811mm)	1
21	Felt battens (1015x29x29mm)	4
22	Batten blocks (29x29x140mm)	10
23	Roofing felt roll (10m)	1
24	Short shaped bargeboard	1
25	Long shaped bargeboard	1
26	Short plane bargeboard	1
27	Long plane bargeboard	1
28	Door	1
29	Long side/rear coverstrip (12x40x1700mm)	4
30	Short side coverstrips (12x40x1235mm)	3
31	Front coverstrips (12x40x890mm)	1
32	Window glazing (478x398mm)	3
33	Horizontal beading (10x10x479mm)	6
34	Vertical beading (10x10x382mm)	6
35	Door hinge	1

No.	Fixing Kit	Qty.
36	Finial	2
37	Catch mounting block (29x29x100mm)	1
38	Roller catch kit	1
39	Metal L-Brackets	2
40	Door handle	1
41	50mm screws	72
42	35mm screws	82
43	25mm screws	26
44	19mm black round head screws	4
45	10mm round head screws	4
46	35mm nails	90
47	20mm nails	36
48	10mm felt nails	139

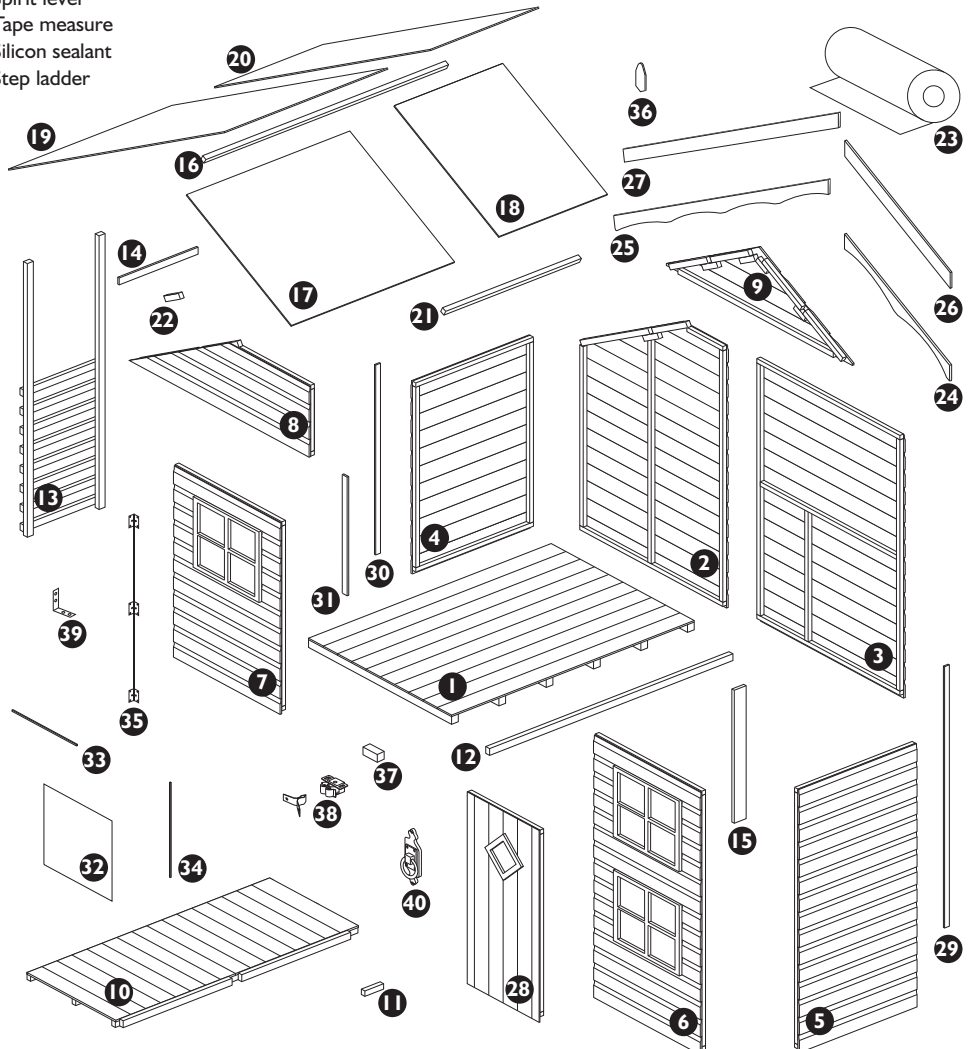
WARNING

Not suitable for children under 36 months due to small parts and sharp points.



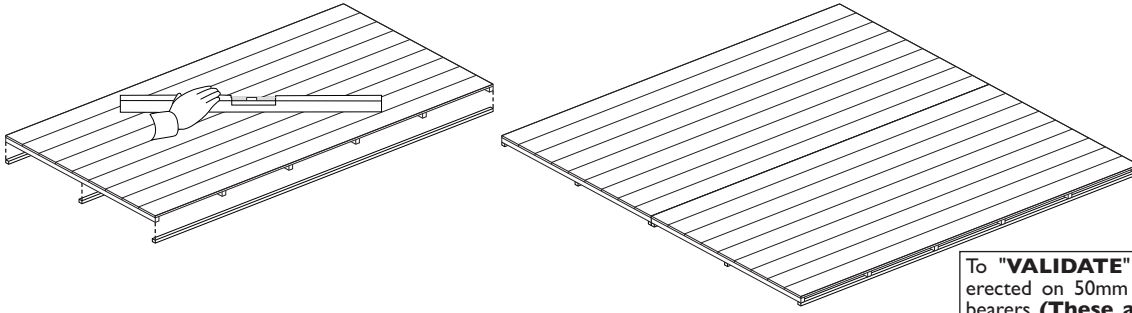
Recommended tools for assembly

- Cross head screw driver
- Hammer
- Sharp knife
- Drill with 3mm diameter drill bit
- Spirit level
- Tape measure
- Silicon sealant
- Step ladder



1. Laying the floor section

Prepare a level area for the playhouse to sit. Attach three wooden or similar bearers of size 50 x 50 x 1810mm (not supplied in kit) to each floor section.



To **"VALIDATE"** the guarantee, this item should be erected on 50mm x 50mm treated wooden or similar bearers (**These are not supplied with the kit.**) Ground contact must be avoided.

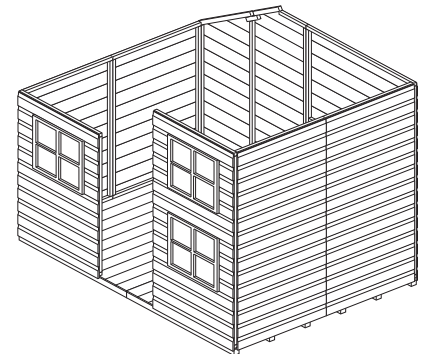
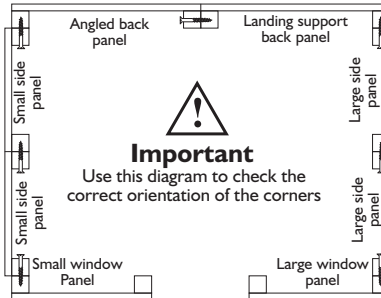
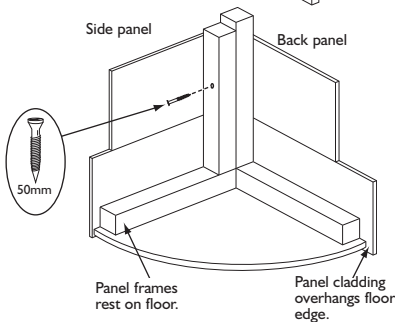
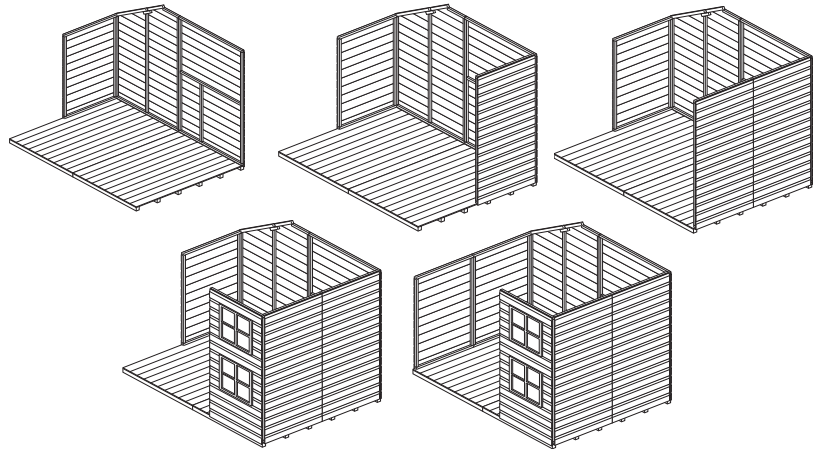
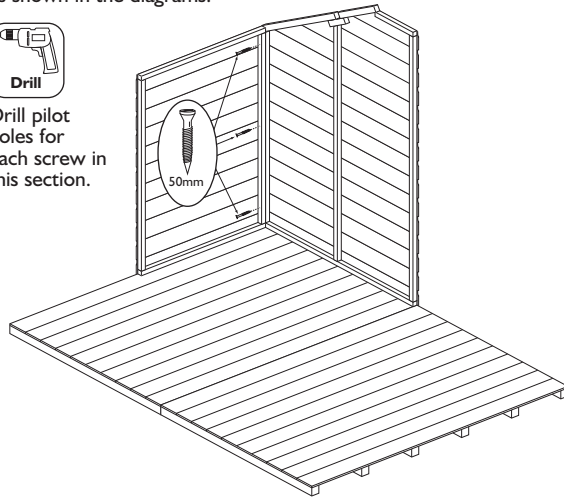
2. Fixing the wall panels together

Position the angled back panel and a small side panel on the floor as show. Note how the panel frames sit on the floor with the panel cladding overhanging the floor edge. Ensure square and secure using 3 x 50mm screws through the frame of the side panel into the frame of the back panel. Position the other back panel next to the first, ensure level and secure them together using 3 x 50mm screws through the frame of the first back panel into the frame of the second. Continue adding the rest of the panels as shown in the diagrams.



Drill

Drill pilot holes for each screw in this section.



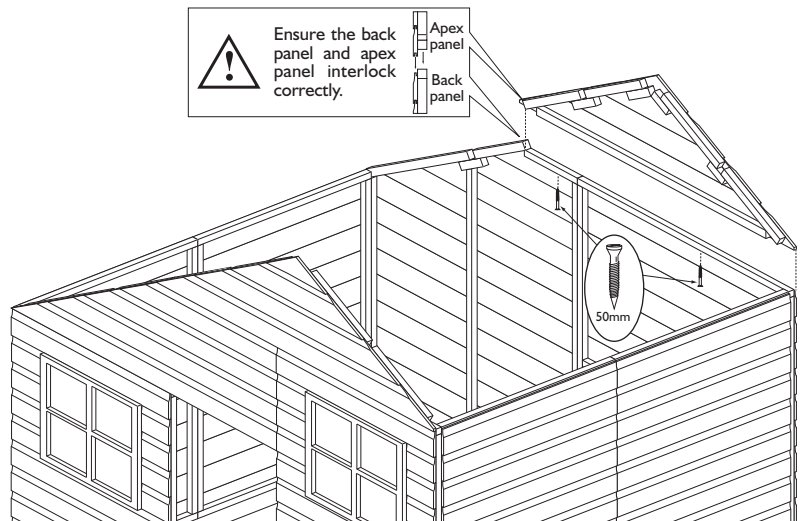
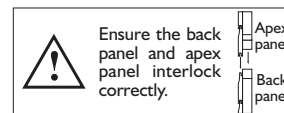
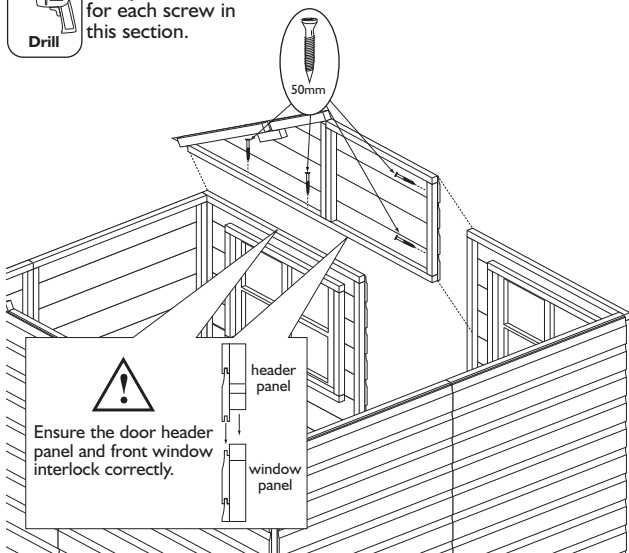
3. Door header and apex panels

Position the door header panel on top of the small window panel, make sure the bottom shiplap board of the header panel fits correctly into the top shiplap board of the window panel. Secure to the large window panel using 2 x 50mm screws, then secure it down to the small window panel using 2 x 50mm screws. Lift one apex assembly on top of the back panel, make sure the bottom shiplap board of the apex panel fits correctly into the top shiplap board of the back panel. Secure by using 2 x 50mm screws, screw up through the top frame of the back panel into the bottom frame of the apex panel. Attach the second apex panel to the front of the building in the same way.



Drill

Drill pilot holes for each screw in this section.

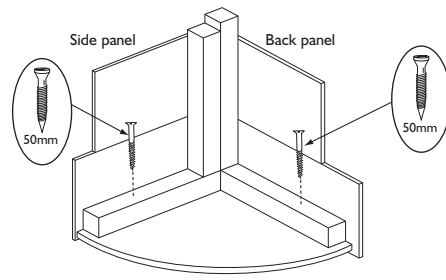
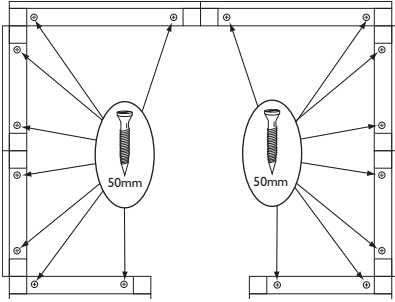


4. Securing the walls to the floor

Ensure the walls are sitting square on the floor and secure them down using 16 x 50mm screws, screw through the panel framing into the floor.



Drill pilot holes for each screw in this section.

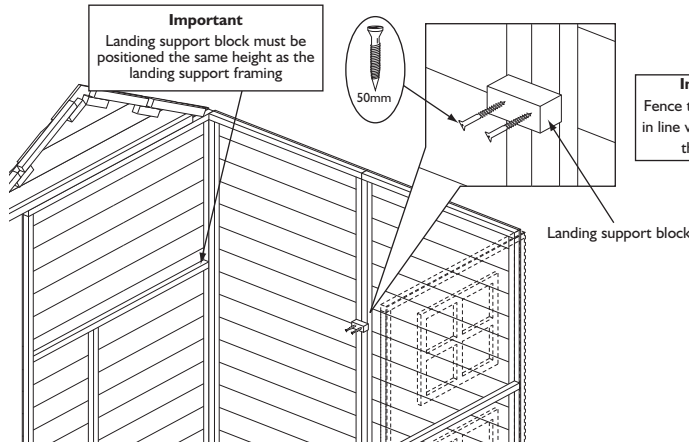


5. Landing floor

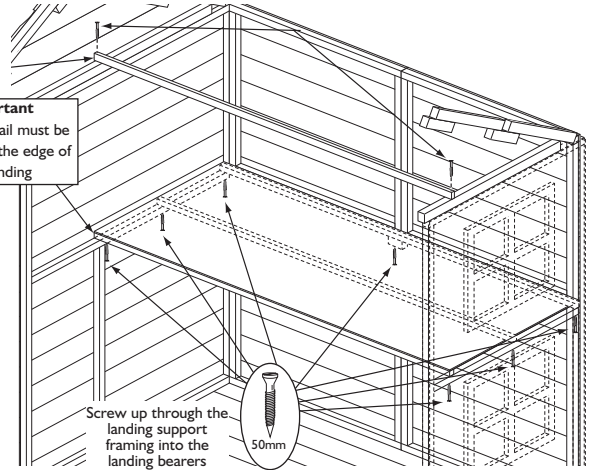
Attach the landing support block over the join of the two side panels at the same height as the landing support framing. Secure using 2 x 50mm screws. Place the landing floor onto its support framing and push up against the side panels. Secure the landing in place using 7 x 50mm screws, screw upwards through the support framing into the bearers of the floor. Position the fence top rail to the apex frames, ensure the rail is in line with the edge of the landing floor using 1 x 50mm screws at each end of the rail



Drill pilot holes for each screw in this section.



Important
Fence top rail must be in line with the edge of the landing

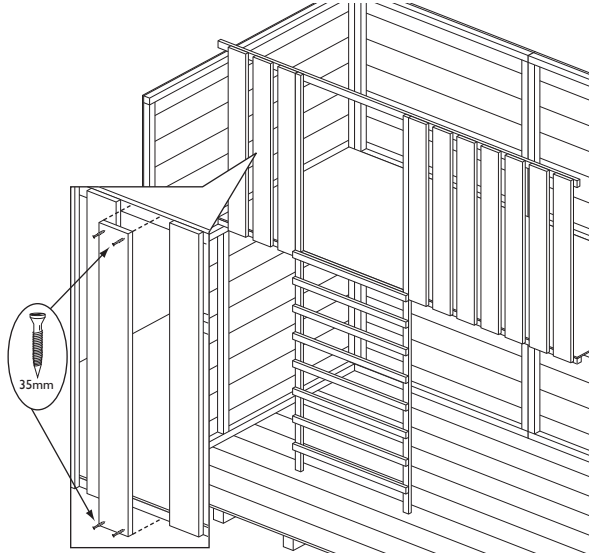
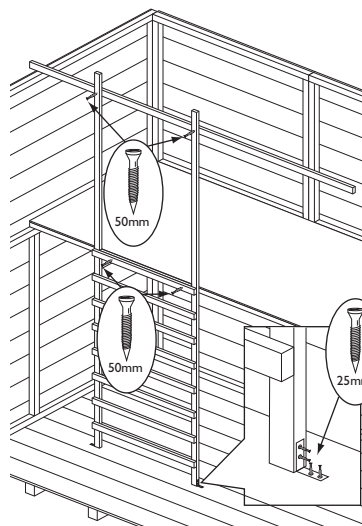
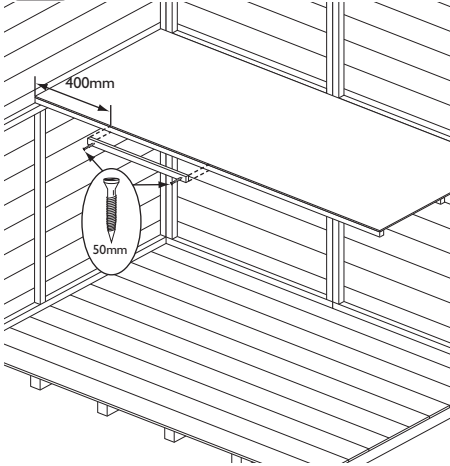


6. Landing ladder and fence

Secure the ladder attachment piece using 2 x 50mm screws to the bearer of the landing floor, 400mm from the back panel. Position the ladder so that its upright framing is against the bearer of the landing floor and the top step is against the ladder attachment piece. Secure with 2 x 50mm screws, screw through the top step of the ladder into the ladder attachment piece. Secure the tops of the ladder framing to the fence top rail using 2 x 50mm screws. To the left of the ladder secure three fence railing evenly spaced using 4 x 35mm screws to the landing floor and fence top rail. Fix seven fence railing in the same way to the right of the ladder. Secure the ladder to the floor using two L-brackets and 4 x 25mm screws per bracket as shown below.



Drill pilot holes for all 50mm and 35mm screws this section.

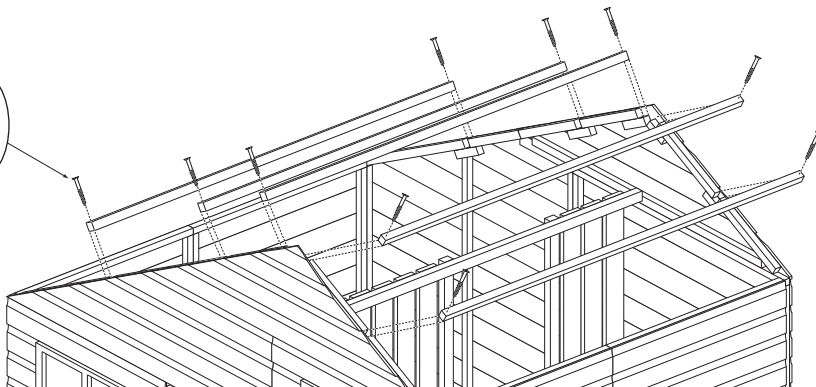


7. Roof purlins

Insert the five roof purlins into the rebates in the front and rear walls. Fix in place using 1 x 50mm screw at each end of each purlin. Screw through the purlin and into the frame of the apex panels.

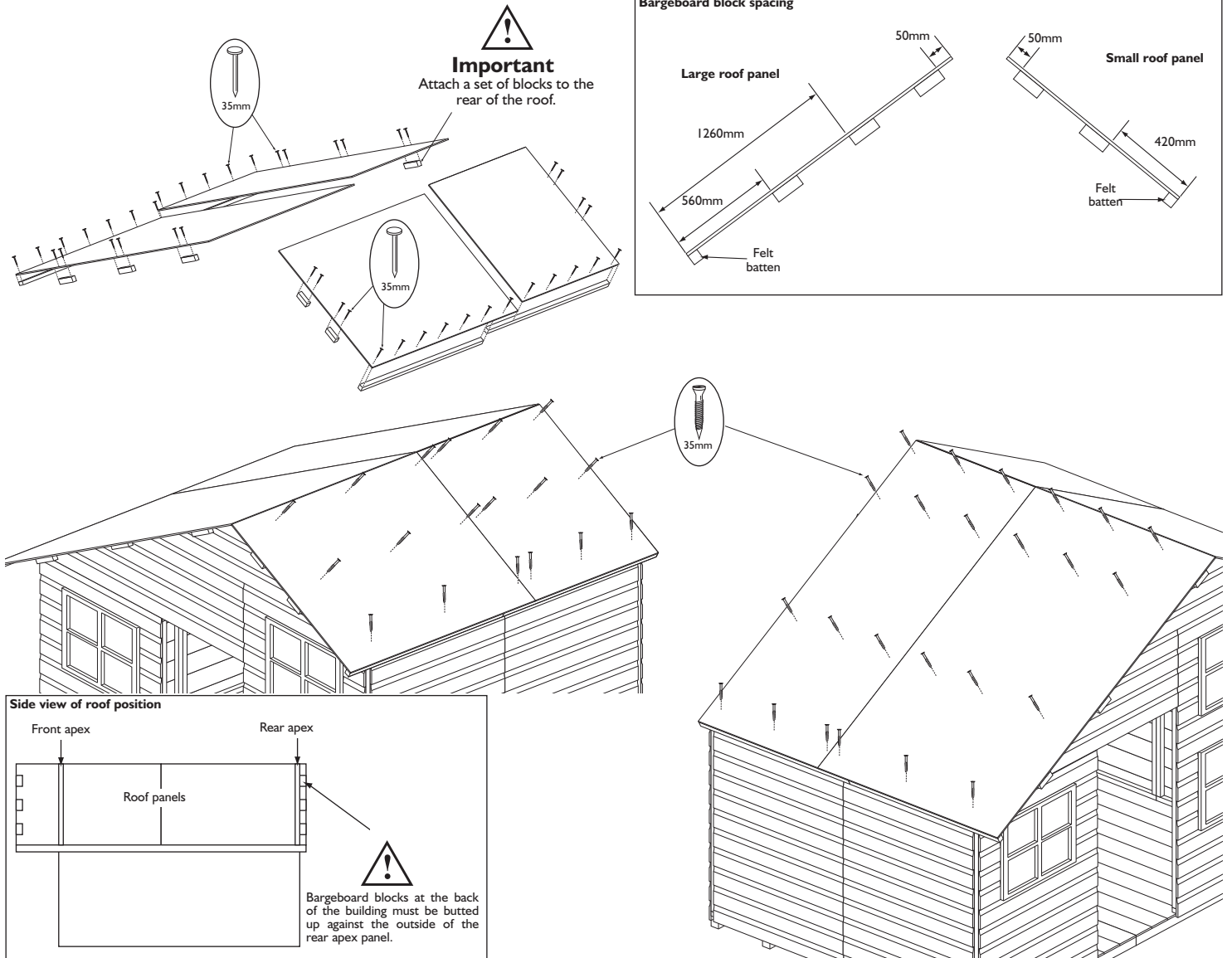


Drill pilot holes for each screw in this section.



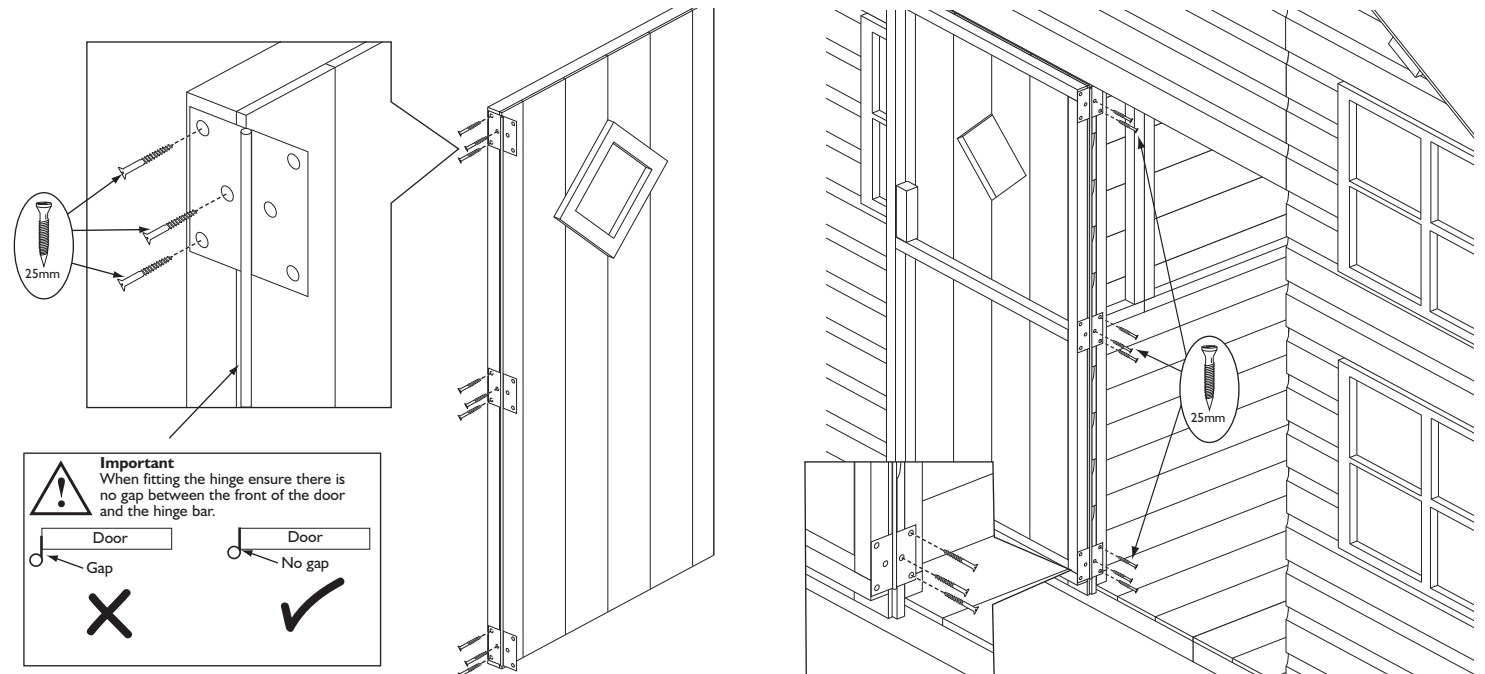
8. Roof

Secure two felt battens to the lower edge of the two short roof panels using 12 x 35mm nails. Ensure the felt battens are flush to the edges of the panels. In the same way attach two felt battens to the lower edge of the two large roof panels. Flush to the front and rear edges of the large roof panel attach three bargeboard blocks using 2 x 35mm nails per block. To the small roof panel attach two blocks front and rear. See diagram below for correct spacing of the blocks. Position two panels on top of the building, make sure the top edges of the panels are located at the apex and bargeboard blocks at the back are butted up against the outside of the apex panel. Secure the small panel in place using 18 x 35mm screws. Screw through the roof panel and into the purlins and the top of the side wall. Attach the large panel in the same way using 24 x 35mm screws.



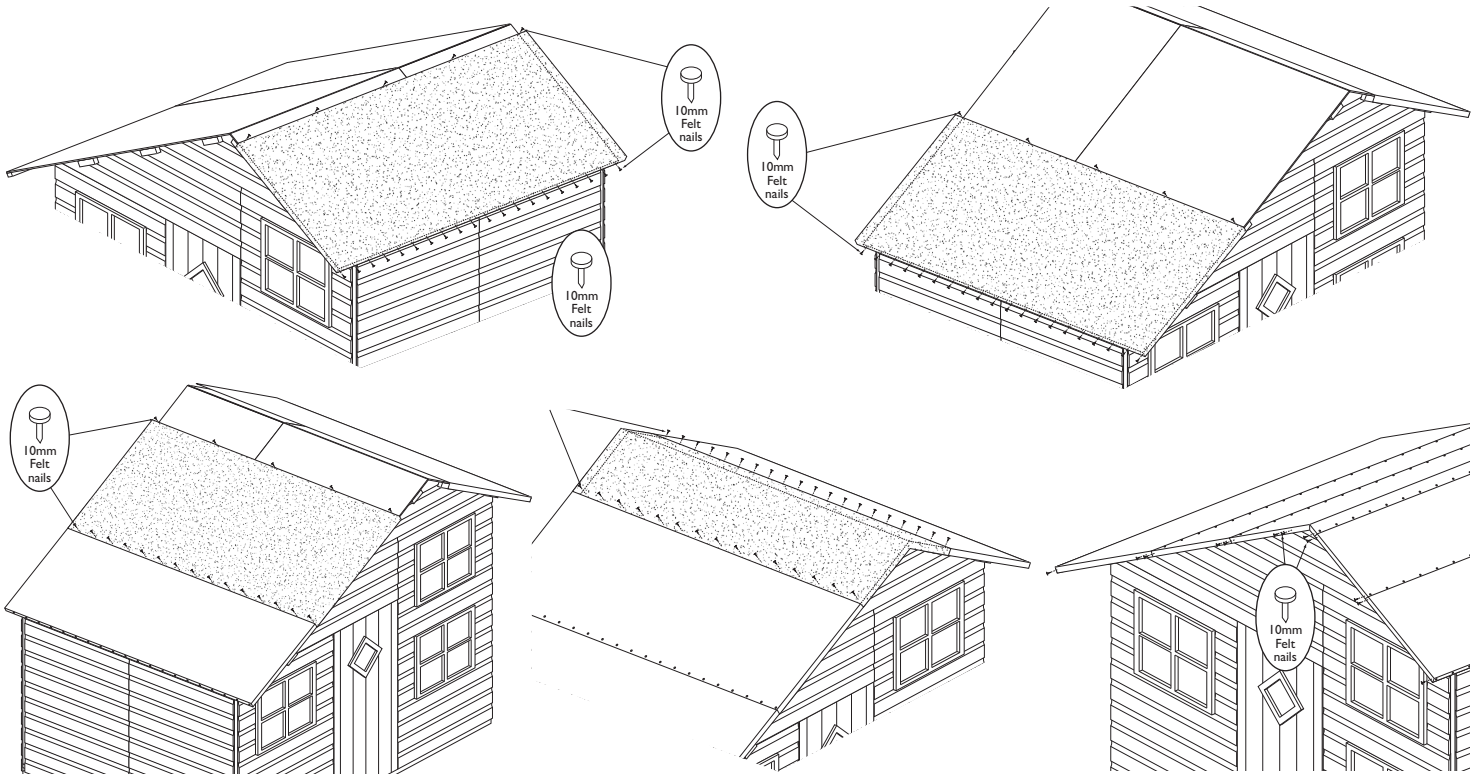
9. Door fitting

Open the hinge flat and position it on the left side of the door as show, secure in place using 9 x 25mm screws. Position the door in the door way, adjust the height of the door so it will be able to open and close freely. When in place secure the hinge to the door frame using 9 x 25mm screws.



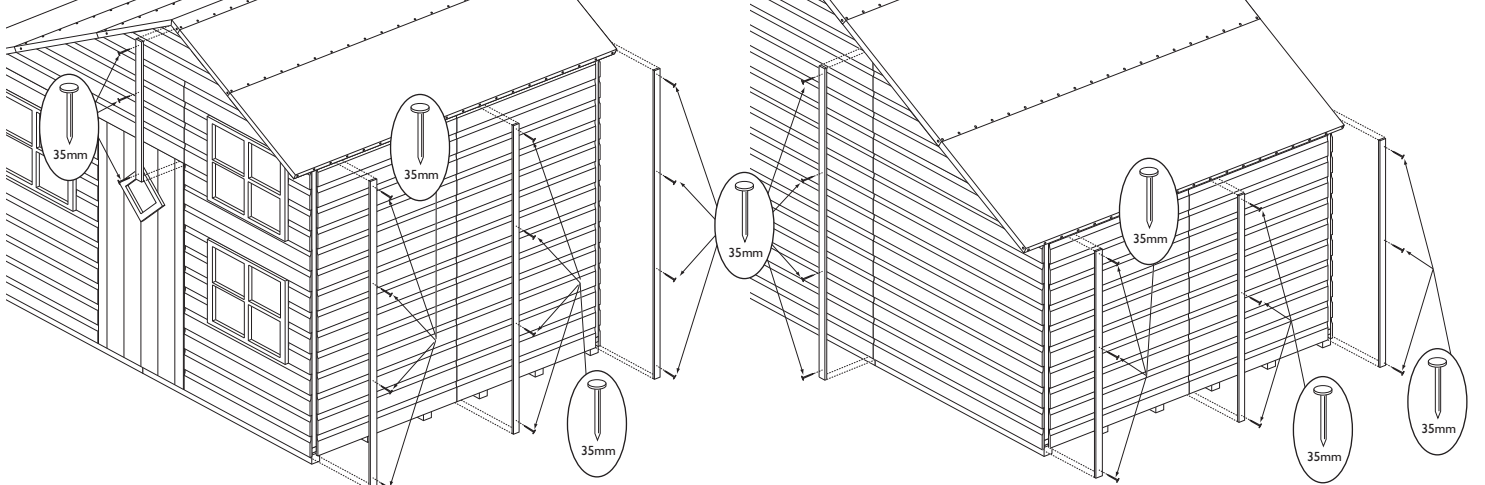
10. Roofing felt

Cut the roll of roofing felt into four equal lengths. Place a length along the short side of the roof. At the front and along the lower edge of the roof leave an overhang of felt of at least 45mm. Fold down the felt along the lower edge and secure to the felt batten using 20 x 10mm felt nails evenly spaced. Tension the felt up the roof and secure along the upper edge using 5 x 10mm felt nails. Repeat this for a second piece of felt on the large side of the roof. Add a third piece of felt higher up the large roof panel, ensure a good overlap with the second felt piece and secure using 20 x 10mm felt nails along the lower edge of the felt, tension the felt up the roof and secure using 5 x 10mm felt nails. Once the three pieces of felt are in place position the final piece over the roof ridge making sure it overlaps the felt pieces on either side of the roof, attach using 20 x 10mm felt nails evenly spaced, along each lower edge of the felt. Dress down the ends of all felt pieces and attach to the batten blocks using 14 x 10mm felt nails at the front and rear. When all the felt is in fixed position, trim of any excess.



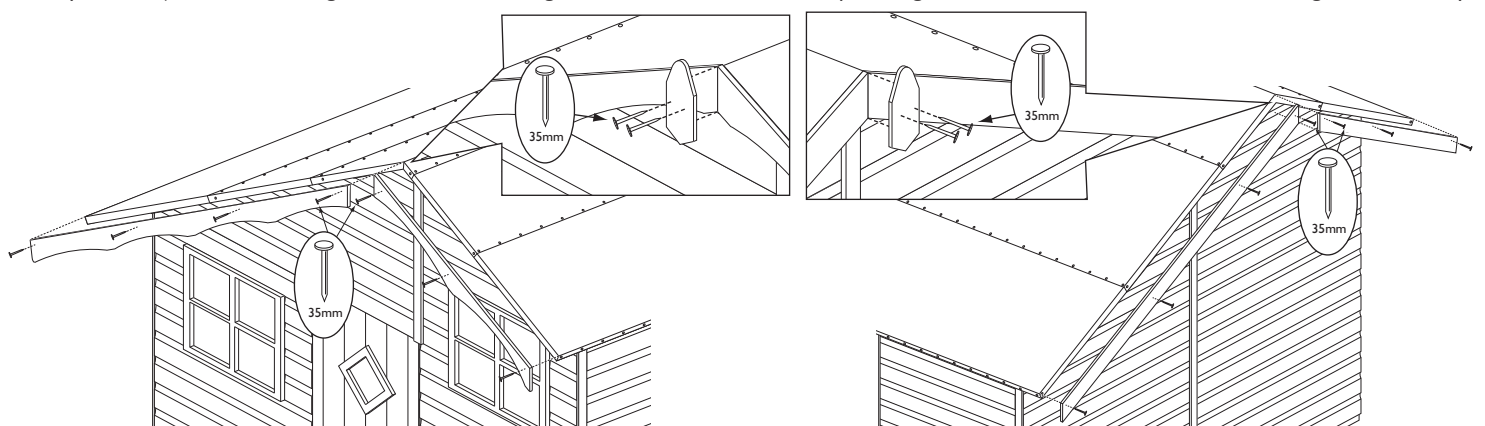
11. Coverstrips

Fit the large coverstrips in the corners of the large side wall secure in place using 4 x 35mm nails. The remaining two long coverstrips are to cover the join of the two large side panels and back panels, position them centrally over the joins and secure using 4 x 35mm nails. In the same way attached two short side wall coverstrips in the corners of the short side wall and the remaining coverstrip over the join of the two panels. secure each one in place using 3 x 35mm nails. Position the front coverstrip over the join between the large window panel and door header panel. The strip should go up to the roof apex, fix in place using 3 x 35mm nails.



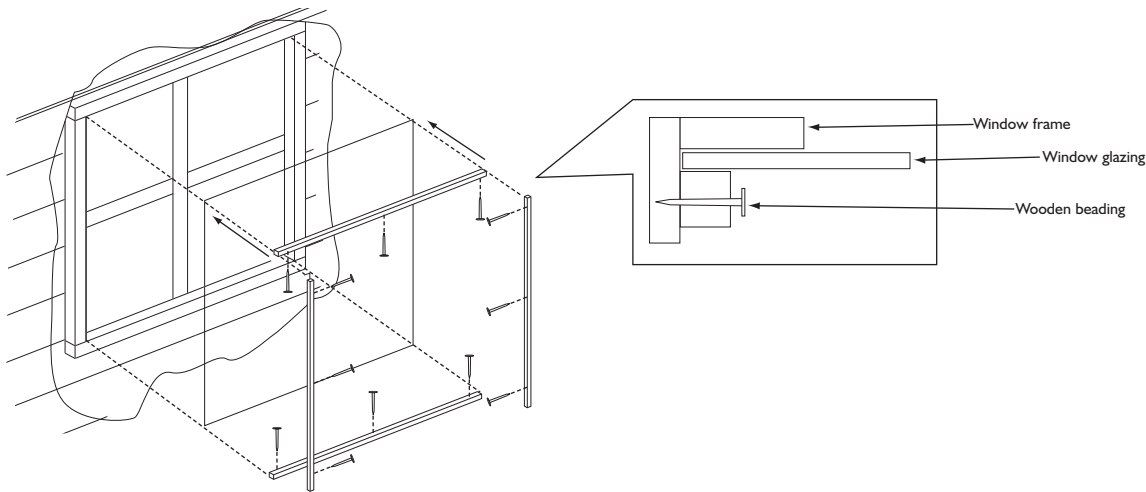
12. Bargeboards and finials

Fasten the shaped bargeboards to the front edge of the roof so that the top edge is flush with the roof line and the two boards meet evenly at the apex, secure the short bargeboard using 3 x 35mm nails and the long board using 4 x 35mm nails. Nail through each board into the bargeboard blocks and end of the felt batten. Position the finial centrally over the join of the two bargeboards and secure using 2 x 35mm nails. Attach the two plain bargeboards and a finial to the back of the building in the same way.



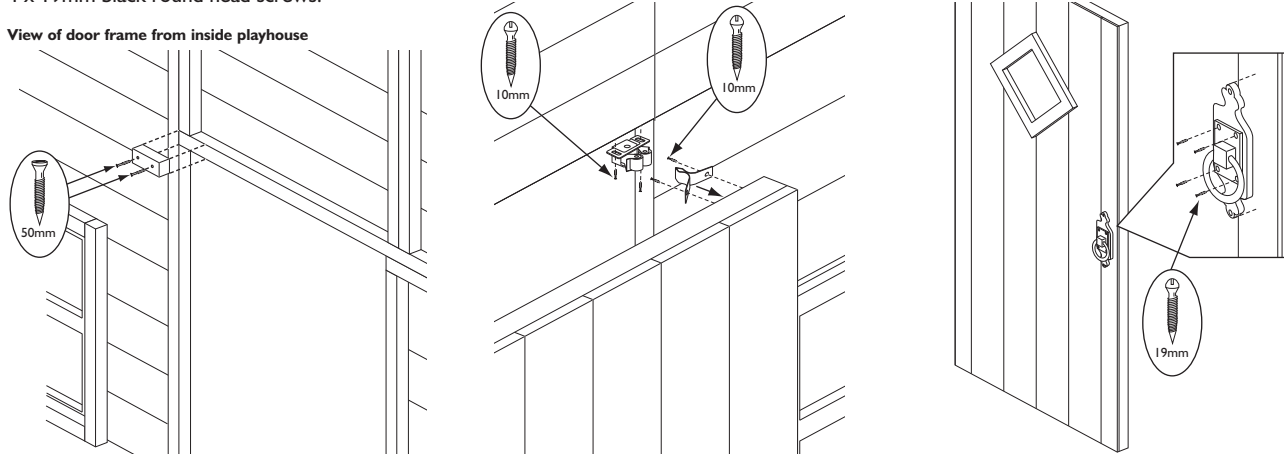
13. Window glazing

We recommend that a waterproof sealant is applied around the edge of the glazing before fitting. Place window pane on the inside of the window frame, Using 3 x 20mm nails per beading strip. nail the top and bottom strip first and then the sides. Repeat for all three windows.



14. Door catch and handle

On the inside of the playhouse, fit the catch mounting block using 2 x 50mm screws to the frame of the apex panel at the top left corner of the door frame. The roller catch is fitted to the mounting block and the catch plate is fitted to the door. Position them so that when the door is shut the two parts clip together. Once in position fix the two parts of the catch in place with 4 x 10mm screws. To the front of the door position the door handle half way up the right-hand side. Secure in place using 4 x 19mm black round head screws.




Important safety and maintenance information - Retain for future reference

- This product is not suitable for all children under 36 months, due to it having small parts and sharp points.
- For Family domestic use only.
- For outdoor use.
- Ensure any loose knots are removed from any panels, to reduce risk of choking. Fill holes with a suitable wood filler obtained from most DIY stores.
- It is recommended that the playhouse is positioned on a level surface at least 2m from any structure or obstruction such as a fence, garage, house, overhanging branches, laundry lines, electrical wires.
- It is recommended that the playhouse is not installed on concrete, asphalt or any other hard surface.
- The company takes every care to ensure all goods are clean and free from splinters and rough edges prior to leaving the factory.
- Visually inspect the playhouse and to reduce the risk of splinter sand down any sharp edges or rough surfaces.
- Checks and maintenance of the main parts (fixings, etc) should be made at the beginning of each season and at regular intervals throughout. If checks are not carried out the product could become unsafe.
- Ensure all fastenings are securely located.
- Oil all metallic moving parts.
- Ensure that the pointed ends of all nails, screws and other fastenings are not accessible on any surface of the constructed playhouse, and that all heads and surfaces of these fastenings are either flush with the surface or countersunk.
- Always ensure a safe, suitable treatment is used to ensure the safety of children and animals.
- Assembly and installation instructions must be kept for further reference.

Shiplap buildings come ready stained but this is only a preparatory treatment. To **VALIDATE** the guarantee, the building must be properly treated with a recognised external wood preserver **WITHIN 3 MONTHS** of assembly and **RE-TREATED ANNUALLY** thereafter. The building must also be erected on 50mm x 50mm treated wooden or similar bearers (These are not supplied with the kit.) Ground contact must be avoided.

Timber Information.

As timber is a natural material, there are certain weather conditions that may affect the materials properties. In times of excessive dry spells the material may lose some of its internal moisture causing a certain degree of shrinkage on a panel and in periods of excessive rain there will be a certain amount of swelling throughout the wooden panels. This process can not be avoided. If you have problems with certain boards shrinking in dry spells try to decrease the amount of direct sunlight on the building or the amount of air passing over the building. During hot spells spray water directly onto the panels with the aid of a garden hose.

 This product meets the requirements of BS EN 71 Parts 1 & 2:2011 and 3:1995

If in doubt of any aspect regarding the assembly, use or safety of your playhouse please contact us :

Help Line (Normal Office Hours) 01829 261121

ROWLINSON GARDEN PRODUCTS LIMITED
Green Lane
Wardle Nr.Nantwich
Cheshire
CW5 6BN

We constantly improve the quality of our products, occasionally the components may differ from the components shown and are only correct at time of printing. We reserve the right to change the specification of our products without prior notice.

2012 © Rowlinson Garden Products Ltd